

SAFETY VOLTAGE DETECTOR MODEL - KM 302 SVD



KM 302 SVD is an instrument designed to alert users that they are approaching live equipment where dangerous voltage is present.

The safety voltage detector helps the user stay a safe distance away from live equipment. It therefore protects & safeguards users from approaching dangerous live high voltage equipment or cables.

It's a new tool for checking the presence of AC high voltages and low voltages. The voltage detection is from 100Vac to 50kVac.

FEATURES :

- Bright LED visual indication
- Audible indication
- Easy-to-probe method
- Self-test function
- Non-contact detection by proximity
- Convenient to use
- Light weight, robust & compact
- Easy access to batteries
- Comply with EN61326-1



Please remember to put the KM 302 SVD into the soft pouch before doing the voltage detection.

Put the safety voltage detector on your chest with the shoulder belt around your neck.

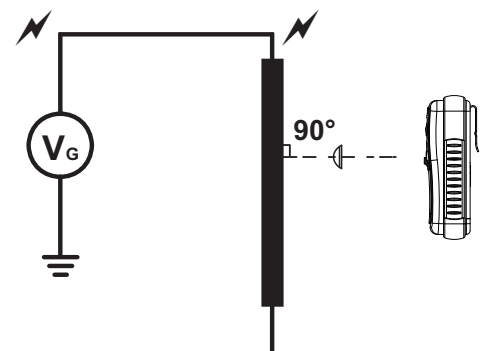
ELECTRICAL SPECIFICATIONS :

- AC Voltage detection: 100Vac ~ 50kVac.
- Frequency range : 50/60Hz
- Operation temperature & humidity : 0°C ~ 40°C / 80% RH Max.
- Sound Level : > 99dB
- Power Source : 1.5V(AA) x 3 alkaline battery
- Dimension : 107(L) x 73(W) x 33(D) mm
- Weight : Approx. 205g. (including battery)
- Accessories : User Manual, Batteries & Carrying Case

INSTRUMENT LAYOUT



1. Buzzer
High noise level buzzer triggered on voltage detection.
2. Visual Alert LED
3. ON/OFF switch
4. Self Test Button
5. Clip
6. Battery cover
7. Soft Pouch
8. Shoulder belt



The ideal detection angle

All Specifications are subject to change without prior notice